

Fiber Optical Terminator

Description

Today's advanced optical fiber networks demand higher optical power and data rate carrying capacities. The quality of the optical terminator at the termination point is critical to performance. GET terminators guarantee excellent optical performance and a flawless end face polish to meet the current trends.



Features

- ❖ High Power
- ❖ Low reflectance
- ❖ Excellent environmental stability and reliability
- ❖ Flawless end face
- ❖ Easy to plug-in & plug-out

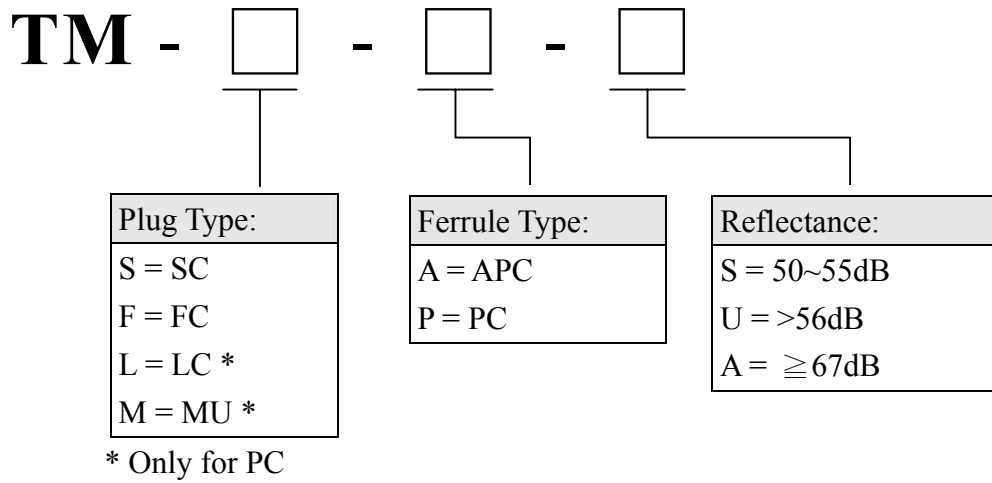
Applications

- ❖ Optical Fiber Telecommunications
- ❖ CATV System
- ❖ FTTH
- ❖ LAN
- ❖ Test equipment
- ❖ EDFA

Product specifications (Single Mode)

Performance		Value
Wavelength		1310nm and 1550nm
Plug Type		SC, FC, LC, MU
Reflectance (dB)	SPC	50dB ~ 55dB
	UPC	> 56dB
	APC	≥ 67dB

Ordering Information



Special Requirements by Customer



建毅科技股份有限公司
Gloriole Electroptic Technology Co., Ltd.

www.Gloriole.com.tw

Address: Fl. 3, No. 248-16, Shin Shen Rd., Kaohsiung L.E.P.Z, Taiwan, R.O.C.

Email: sales@gloriole.com.tw

TEL: 886-7-8139739

Fax: 886-7-8150504